

FOCAL
POINT
FIRES plc

Designer collection

INSTALLATION, SERVICING AND USER INSTRUCTIONS

All instructions must be handed to the user for safekeeping

Revision A 01/01

Country(s) of destination: GB, IE



Focal Point Fires plc, Avon Trading Park, Christchurch, Dorset BH23 2BT
E-mail: sales@focalpointfires.co.uk Telephone: 01202 499 330 Fax: 01202 499 326
www.focalpointfires.co.uk



INSTALLATION INSTRUCTIONS

Preliminary Notes Before Installation

This appliance is an Inset Live Fuel Effect appliance which provides radiant warmth utilising the latest type burner technology.

The fire is designed to fit various types of fireplaces and natural draught flues as listed in the Installation Requirements.

The appliance must be installed by a competent person in accordance with Gas Safety (Installation and Use) Regulations 1998. It is strongly recommended that a CORGI registered engineer be used for this purpose.

Read all these instructions before commencing installation.

This appliance must be installed in accordance with the rules in force and only used in a sufficiently ventilated space.

The appliance is designed for installation on to a non-combustible hearth of at least 300mm depth.

This appliance is factory set for operation on the gas type, and at the pressure stated on the appliance data plate.

<i>Section</i>	<i>Contents</i>	<i>Page No.</i>	<i>Section</i>	<i>Contents</i>	<i>Page No.</i>
1.0	Important Notes	1	9.0	Preparing the Opening	7
2.0	Appliance Data	2	10.0	Gas Supply	7
3.0	Installation Requirements	2	11.0	Fitting the Firebox	8
4.0	Site Requirements	3	11.1	Cable Fixing	8
4.1	Debris Collection Space	4	11.2	Gas Connection	9
5.0	Ventilation	4	12.0	Fuel Bed Layout	9
6.0	Flue Boxes	5	13.0	Fitting Fireframe and Front	10
7.0	Unpacking the Appliance	5	14.0	Testing & Commissioning	11
7.1	Component Checklist	6	15.0	Servicing	13
8.0	Preparing the Appliance	6	16.0	Troubleshooting Guide	14

1.0 IMPORTANT NOTES

This fire is an Inset Live Fuel Effect Gas Fire providing radiant warmth. It is designed to operate on Natural Gas or LPG (Propane) depending upon factory set adjustments. See Data Plate on appliance for gas type.

It is the LAW that all gas appliances and fittings are installed by a competent person (such as a CORGI registered fitter) and in accordance with the Gas Safety (Installation and Use) Regulations 1998, the relevant British Standards for Installation, Codes of Practice and in accordance with the Manufacturers' Instructions. The installation shall also be carried out in accordance with the following regulations:

The Building Regulations issued by the Department of the Environment, the Building Standards (Scotland) (Consolidation) Regulations issued by the Scottish Development Department.

BS 5871 part 2

BS 5440 part 1

BS 8303

BS 1251

BS 6891

BS 6461 part 1

BS 5482 part 1 (for LPG appliances)

Note - For Republic of Ireland, reference should be made to the relevant standards governing installation, particularly in regard to flue sizing and ventilation. See IS813, ICP3, IS327 and any other rules in force.

Failure to comply with these regulations could lead to prosecution and deem the warranty invalid.

This appliance must be installed in accordance with the rules in force and used only in a sufficiently ventilated space.

Consult all instructions before installation and use of this appliance.

This appliance is free from any asbestos material. Refractories and coal bed are constructed from ceramic fibre.

2.0

APPLIANCE DATA

Gas Group	G20 Natural Gas CAT I2H	G31 Propane CAT I3P
Inlet Pressure	20 mbar	37 mbar
Max Energy Input (gross)	6.8 kW	6.2 kW
Min Energy Input (gross)	3.5 kW	3.5 kW
Pilot Energy Input (gross)	210 W	210 W
Setting Pressure	15.8 mbar	36 mbar
Main Injector Burner	Stereo size 81	Stereo size 130
Gas Inlet Connection	8mm compression	8mm compression
Ignition	Piezo spark	Piezo spark
Spark Gap	3.5 to 4.5mm	3.5 to 4.5mm
Weight	20 Kg	20 Kg

Please see Data Badge affixed to appliance for current data.

This appliance is for use only with the gas type, and at the pressure stated on the appliance Data Badge, and is for decorative purposes.

3.0

INSTALLATION REQUIREMENTS

The LPG (propane) version of this appliance **MUST NOT** be installed into a basement, or into an area that is entirely or partially below ground level.

This appliance **MUST NOT** be installed into a room containing a bath or shower, or where steam may be present. The fire has been designed to fit into a builders' opening or fireplace conforming to BS 1251 (and meeting certain dimensional requirements), or a suitable flue box complying with the constructional requirements of BS 715. The flue box must be installed onto a suitable non-combustible insulating surface at least 12mm thick, covering the entire base area of the box.

The flue must have an effective height of at least three meters, as measured from the hearth to the top of the flue. Any flue damper plates or restrictors should be removed and no other restriction fitted to the flue. Where removal is not practical, the restriction must be fixed in the fully open position.

A natural draught flue system is required, and if previously used for solid fuel or oil burning, the flue and chimney must be swept prior to appliance installation. Pre-cast flues must be checked for mortar fangs and correct installation of joints, flue sections in loft space and terminals. The flue must be checked before installation by using a smoke pellet or similar to ensure proper draw and that leakage is not evident at any joints. Repair and re-test as necessary before the appliance is installed.

The flue must be connected to only one fireplace, and the flue must not vent more than one appliance (i.e. not shared with a gas back boiler). There must be no opening in the flue apart from the one that the appliance is installed into, and the one venting the gases into the air. A suitable terminal may be fitted, such as class GC1, as regulations allow.

This appliance has been tested for use in pre-cast block flues complying with BS 1289. In accordance with BS 1289 part 1, pre-cast flues with directly plastered faces (front or rear) are not installed as to ensure proper operation with any type of gas fire. In some instances of this flue construction, temperature cracking of the surface plaster may occur through no fault of the appliance. An air gap, or some form of insulation should be installed to prevent normal flue temperatures from damaging wall surfaces.

This appliance is suitable for use with a "lightweight" surround and back panel of 150°C minimum rating.

4.0 SITE REQUIREMENTS

The fireplace opening should be inspected and repairs made where necessary. Any chair brick or fireback may be left in place, providing that the dimensional requirements for debris collection and spigot clearance are met.

The opening WIDTH and HEIGHT dimensions should be between 375mm and 450mm wide, and 540mm (see note below) to 575mm high.

Note: The spigot outlet of the fire is 560mm high, but should fit into the gash at the top of the fireplace as the appliance is fitted. Any modifications to the fireplace opening must be to a height of 560mm min.

Opening DEPTH should be 200mm or greater for a clay/cement lined or pre-cast flue which is new, unused, or previously used only with a gas appliance. DEPTH should be 240mm or greater for a flue used for solid fuel or oil burning appliances. Opening DEPTHS include any plaster or infill panels which form part of the installation.

This appliance requires a natural draught flue system which may be one of the following;

225mm x 225mm (9in x 9in) brick or stone.

125mm (5in) minimum diameter lined brick or stone.

125mm (5in) minimum diameter twin wall flue conforming to BS 715.

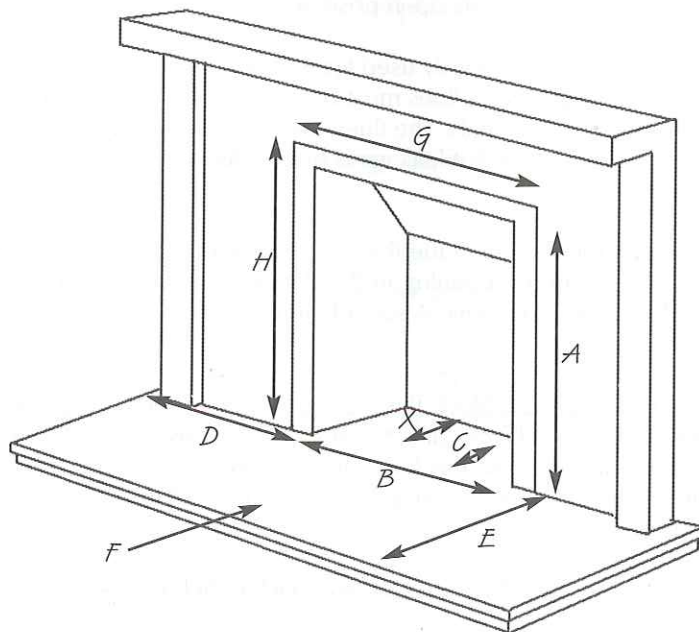
Pre-cast block flue complying with BS 1289.

Any existing under grate draught device must be sealed off.

The opening wall must be non-combustible and have adequate flat surface for appliance sealing.

The appliance requires a hearth with non-combustible surface of at least 12mm thick. The top surface must be at least 50mm above the surrounding floor level, or be surrounded by a raised edge or fender 50mm high.

To enable the products of combustion to be cleared properly up the flue, the outlet at the back of the appliance must have a minimum 50mm clearance between it and the back wall of the opening or other obstruction. The area immediately above the outlet must form a smooth path into the flue.



- A. Opening height: 540mm min/575 mm max.
- B. Opening width: 375mm min/450mm max.
- C. Mounting depth: 180mm
- D. Hearth must extend minimum of 150mm either side of the opening.
- E. Hearth must extend minimum of 300mm in front of the opening.
- F. Non-combustible hearth must be a minimum of 50mm in height, or be surrounded by 50mm high fender.
- G. 470mm, this area must be flat and vertical to ensure a good seal.
- H. 585mm, this area must be flat and vertical to ensure a good seal.
- X. See section 4.1

4.0

SITE REQUIREMENTS (continued)

Any type of fire surround used with this appliance must be adequately sealed to the wall and floor.

A combustible shelf may be fixed to the wall above the fire, providing that it complies with the dimensions given below.

<i>Maximum depth of shelf</i>	<i>Minimum distance from inside edge of fire frame to underside of shelf</i>
100mm (4in)	203mm (8in)
150mm (6in)	305mm (12in)
203mm (8in)	356mm (14in)

A non-combustible shelf may be fitted to within 10mm of the top edge of the fireframe.

Combustible materials, such as wood, may be fitted to within 100mm (4in) of either side of the frame of the appliance, providing the forward projection does not exceed 100mm (4in).

Any combustible side walls must be at least 500mm to the side of the radiant heat source.

As with all heating appliances, any decorations, soft furnishings, and wall coverings (i.e. flock, blown vinyl and embossed paper) positioned too close to the appliance may discolour or scorch.

4.1

DEBRIS COLLECTION SPACE

The mounting depth of this appliance is 180mm. In accordance with BS 5871, minimum debris collection volumes are required behind the installed appliance. These are shown below, and as Dimension X on the fireplace diagram on the previous page.

CLAY/CEMENT LINED OR BLOCK FLUE WHICH IS NEW, UNUSED, OR PREVIOUSLY ONLY BEEN USED WITH A GAS FIRE.

X Dimension = 20mm

UNLINED FLUE OR CHIMNEY WHICH HAS BEEN USED FOR SOLID FUEL OR OIL BURNING APPLIANCES.

X Dimension = 60mm

5.0

VENTILATION

No purpose provided ventilation is normally required for this appliance. The requirements of other appliances operating in the same room or space must be taken into consideration when assessing ventilation.

If spillage is detected when commissioning the appliance then amongst other problems there may be insufficient natural ventilation for the correct operation of the flue. This is potentially a greater problem should the property be of modern nature. If the appliance does not spill with windows open but does with windows closed, this proves that lack of ventilation is the problem, if not, it will be the flue at fault. Installation of an air brick is the best solution. Any ventilation fitted must comply with BS 5871 part 2 and BS 5440 part 2.

Spillage detected during commissioning is almost always a result of poor flue performance, which cannot be corrected by any amount of ventilation.

For Republic of Ireland ventilation may be required, see IS 813, ICP3, IS 327, and any other rules in force.

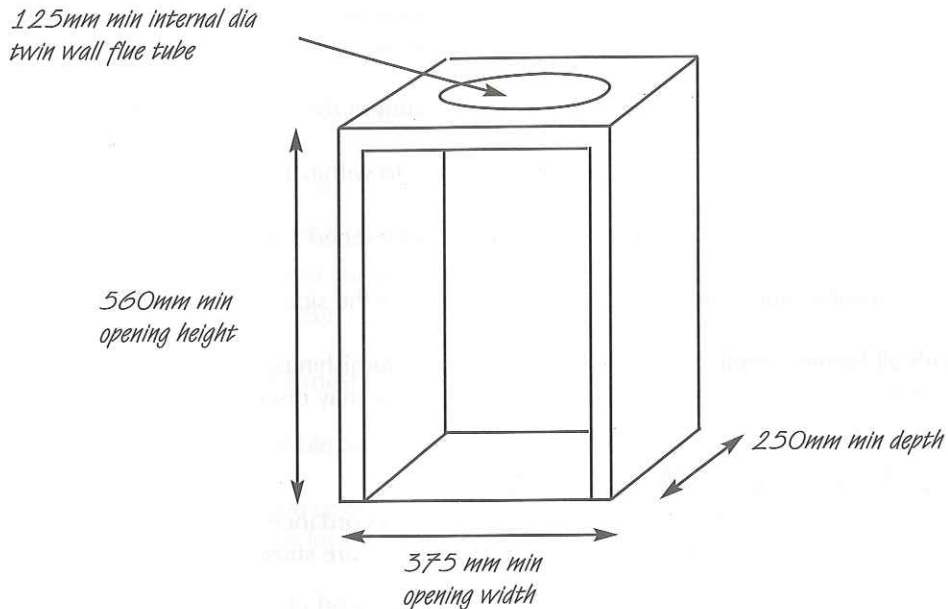
6.0

PREFABRICATED FLUE BOXES

This appliance can be fitted into a number of proprietary flue boxes, provided that the minimum dimensions given in the diagram below are complied with. The flue outlet of the fire **must not** obscure the flue outlet from the flue box. A smooth path into the flue must exist.

Constructional Note: The frame of the fire, any back panel or other infill panel, and the flue box must be sealed together so that there is no possibility of leakage between them. Adequate clearances to combustible materials (e.g. false chimney breast construction) must be maintained.

The manufacturers' instructions for the fitting of the prefabricated flue box shall be complied with at all times.



Some flue boxes may require minor adaption when fitting the fire using the cable fixing kit. The firebox, base of the flue box, and the hearth may be drilled to allow plugs and screws to secure installation.

It is important that the sealing requirements of the appliance are met at all times and that the flue box is well sealed to any back or infill panel.

Note: The DEPTH dimensions shown are inclusive of any back or infill panels.

7.0

UNPACKING THE APPLIANCE

Stand the carton right way up, cut the strapping bands and remove the top end cap. Read all the instructions before continuing to unpack or install this appliance.

Remove the box containing the cast front fret, and the bag containing the coals. Remove the cardboard packing pieces, and any bags containing other fittings or parts.

When all loose parts have been removed, the outer sleeve may be lifted off to reveal the appliance.

Check that the components supplied correlate with the checklist given in section 7.1.

Please dispose of the packaging materials at your local recycling centre.

7.1 COMPONENT CHECKLIST

QUANTITY	DESCRIPTION
1	Firebox and burner tray assembly.
1	Decorative frame, one of several finishes.
1	Cast front fret with separate ashpan cover, one of several designs and finishes.
1	Moulded ceramic fibre combustion matrix.
22	Individual ceramic coals.
2	Moulded ceramic front coal strips.
1	Moulded burner pad.
4	Ceramic brick effect radiant panels.
2	Side infill strips.
1	Spigot restrictor (if not pre-fitted to firebox).
1	Set of manufacturers instructions and warranty card.
1	Cable fixing kit comprising; 2 cables, 2 tensioners, 2 clamps, 4 fixing eyes, 4 fibre rawl plugs.
4	Ceramic brick panel retaining clips
1	Self tapping screw pack.
3	Lengths of self adhesive sealing strip.
1	Rubber grommet.

8.0 PREPARING THE APPLIANCE

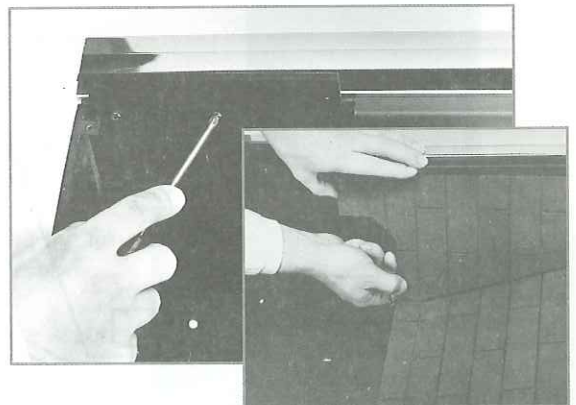
Note: Ensure that the gas supply is isolated before commencing installation of the appliance.

The fireplace opening and environment must be in compliance with the specifications laid down in the appropriate sections of these instructions.

Remove the appliance from it's carton as described previously and stand upon a dust sheet or similar. Place the decorative frame, coals, ceramics and fixings safely to one side. Remove the burner from the assembly by releasing the two screws through the tray legs. Remove the transit screw securing the rear ledge of the firetray to the firebox. This will no longer be required. The tray is now free, and may be lifted away.

The four radiant panels may now be fixed inside the firebox. Select the plain or patterned side of each panel and insert as follows; Lay the firebox on it's back. Lay the tapered and small rectangular panels onto the rear faces of the firebox. The side panels should be fitted by inserting their front edges into the pre-fitted retaining brackets on the front face of the firebox. Gently align the side panels with the side of the firebox, over the top of the back panels already in place. Make sure that the side panels are pushed *up* firmly to the roof of the firebox, and *back* firmly to retain the tapered panel. Make small adjustments to line up the mortar lines if required. Clamp the side and back panels using the 'Z' shaped brackets and screws provided. The screws should locate into the pre-punched holes in the rear of the firebox. Fit the two side infill panels to the lower sides of the firebox, using the screws provided in the pre-punched holes (as shown in photograph).

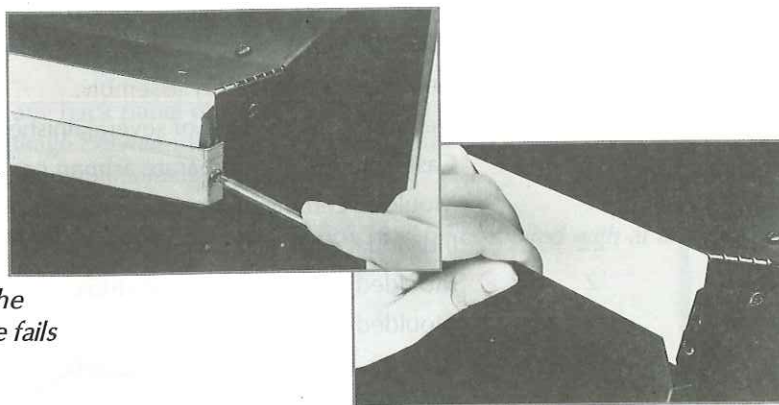
Knockout holes are provided in the rear of the firebox for use where concealed pipework is required. Where necessary, knock out the appropriate hole with a sharp tap from a hammer, and fit the rubber grommet supplied. A small incision can now be made in the rubber to slip snugly around the outside of the pipe and sleeving. *Do not install or use the appliance without the seals in place.* If a hole is inadvertently opened, reseal with an intact grommet. Failure to fit the seal correctly will cause flue suction to act upon the area under the burner, resulting in poor performance and intermittent cutting out of the burner.



8.0 PREPARING THE APPLIANCE (continued)

SPIGOT RESTRICTOR: If installing the fire into a Class 1 or good Class 2 flue, attach the spigot restrictor to the rear of the appliance using the screws provided. If the spigot restrictor is provided already fitted to the fire (stitch bend join) simply bend up into position in the flue outlet of the fire.

You MUST remove (or bend down fully) the spigot restrictor and re-test if the appliance fails a spillage test during commissioning.



9.0 PREPARING THE OPENING

Before installing the fire, check the flue using a smoke pellet. All of the smoke should travel up the flue and exit correctly from the terminal. If problems are found, DO NOT fit the fire until corrective action is completed.

Protect the decorative hearth whilst pushing the firebox in and out of the opening. Part of the packaging makes an ideal hearth saver pad.

Before running the gas supply into the opening, offer up the firebox to the fireplace to check the fit is good. Angle the firebox or adjust the spigot outlet as described in the Fitting the Firebox section. Ensure that it slides in correctly, the sealing face sits flat and square to the wall or infill panel, and that the base is firm on the floor of the opening as no leaks are permissible here. At this stage it is essential to ensure that the spigot outlet of the fire is not restricted in any way. Remove the firebox and take any necessary measurements before making good and preparing for final installation.

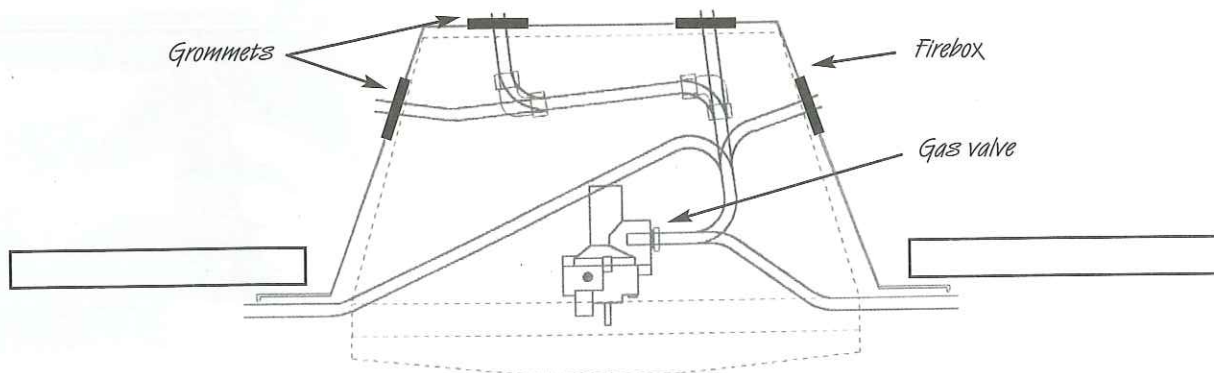
CABLE FIXING. For fixing of the fire by the cable method, see the relevant section. The cable fixing locations should be marked on the back of the opening and the holes drilled. Fit the fibre rawlplugs and eyebolts to these holes. *Note: Plastic rawlplugs are NOT suitable for this application.*

SCREW FIXING. For fixing by screw, mark and drill the fireframe or base, and the relevant points in the opening or on the wall. Rawlplugs will again be required. Pre-punched holes are not provided for this purpose to allow you to choose the optimum positions.

GAS SUPPLY. Following preparation for the fixing method, the concealed gas supply, where required, can now be put into place. Refer to the gas supply section for suggested pipe routes. The ends of the sleeving in which the gas pipe is run should be sealed. The ends of the 8mm supply pipe should be temporarily sealed to prevent the ingress of debris during fixing.

10.0 GAS SUPPLY ROUTING

When the opening is ready for installation of the fire, the gas supply can be routed as shown in the diagram below.



10.0 GAS SUPPLY ROUTING (continued)

The gas pipe must be suitably protected where it passes through fireplace openings. Any sleeving should be sealed to the pipe at its ends.

To comply with current installation codes, it is essential that the supply pipe is fitted with an appliance isolator valve (e.g. a restrictor elbow at the side of the hearth).

The open end of the supply pipe should be sealed temporarily during the installation of the firebox to prevent the ingress of dirt and dust.

The appliance firefront is specially notched to allow the gas pipe to pass through when an over hearth supply is necessary.

11.0 FITTING THE FIREBOX

The firebox may be fitted to the opening by using screw fixing or by the cable kit as described in the relevant section. It may be easier to fit the decorative brass fireframe at this stage rather than later if it is a clip-on type. See relevant section for fitting details. Leave the polythene coating in place until fitting procedures are complete to eliminate any risk of scratching the decorative finish.

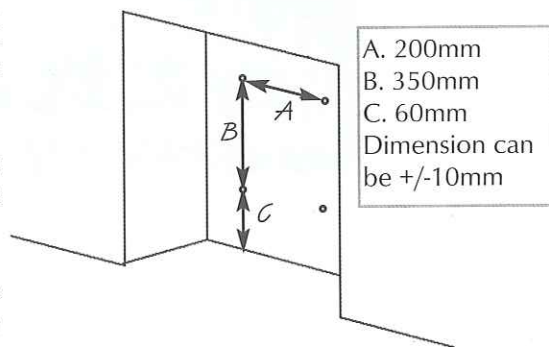
To fit the firebox, firstly check the fire goes fully back into the opening. If the fire will not fit straight in, tilt the unit backwards and insert the spigot first to lead in to the gather at the top of the fireplace. If this is still not possible, remove the spigot outlet screws using a screwdriver, bend it down and partly insert the firebox. **Now push the outlet deflector back up to the original position** under the lip of the fireplace opening and secure with the screws. The fire is designed to operate correctly with the deflector screwed in its original position and spillage problems may arise by not realigning correctly once fitted. The manufacturer will not be responsible for Secure the fire box by drilling and screwing down the frame or base of the firebox, or use the cable fixing method.

11.1 INSTALLATION BY CABLE FIXING KIT

Drill the four holes for the rawl plugs, as shown in the diagram. If the fireplace configuration does not allow the exact layout given, the eyebolts should be positioned as close to the correct layout as possible.

Before finally fitting cables, apply the self adhesive sealing strips. The fireframe must be sealed evenly to the fireplace opening all around the periphery.

Thread the tensioning cables through the holes in the top of the firebox, then the eyelets, and finally through the lower holes in the back of the firebox, as shown in the photographs.



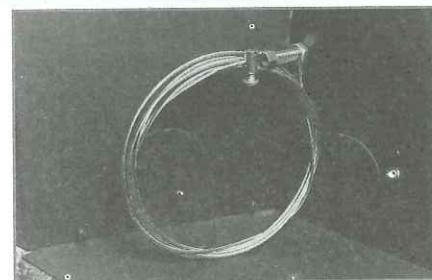
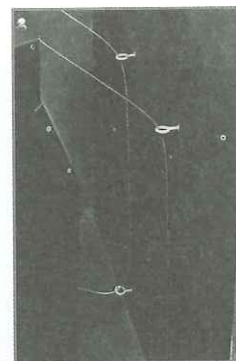
Note: The burner tray **MUST** be removed as per relevant section to gain access to the cable adjusters.

Push the appliance back into to fireplace, centralise, and pull the loose tensioning cables through the holes into the firebox. You may need to temporarily adjust the outlet deflector at this point as described in the Fitting the firebox section. Thread the tensioner bolts onto the cables, with the nuts screwed down close to the tensioner head. Slide the screwed nipple onto the cable, pull cable tight, and tighten nipple. The tension of the cable may now be adjusted by using a suitable spanner on the tensioner nuts to pull the appliance tightly against the fireplace opening. Visually inspect the seal and reseal if necessary.

Note: **DO NOT** cut off excess cable.

Surplus cable must not be cut off, as it will be impossible to refit the fire after servicing. Coil up the surplus cable, and locate at rear of firebox.

Note : If running a concealed gas supply, ensure grommets are secure around incoming pipes.



11.2 GAS CONNECTION

Refit the burner tray into the firebox, fit the two screws through the locating holes in the tray legs, and tighten.

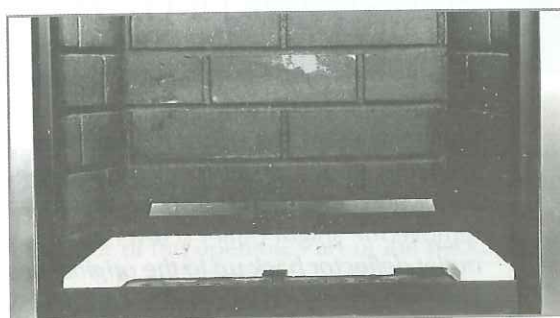
Purge the gas supply thoroughly to remove air and dirt/debris **BEFORE** connection. Now connect the previously installed gas supply to the control tap and tighten all joints. Soundness test installation.

If using an across hearth connection, ensure the decorative fireframe and firefront will clear the supply route.

If the data/control plate is not already fitted, attach with two screws, ensuring the control knob is free to be depressed fully.

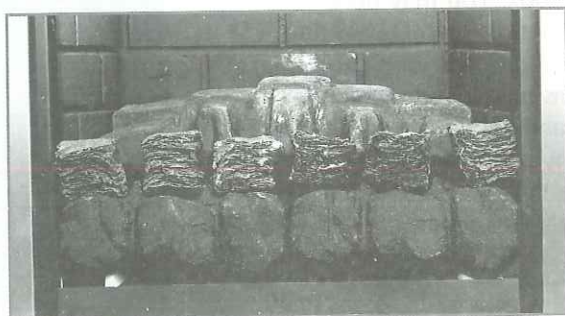
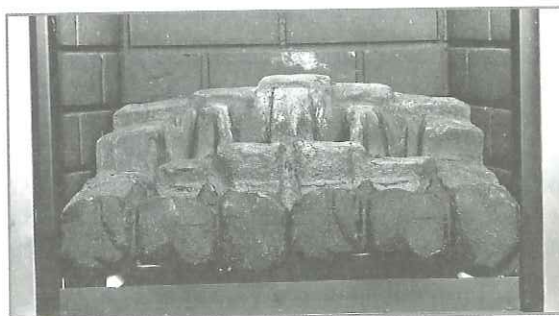
12.0 FUEL BED LAYOUT

Place the ceramic burner pad onto the top of the burner as shown, taking care to ensure it is centralised and pushed back against the back locating edge. Check that all of the holes in the burner top plate are unobscured.



Place matrix into position as shown. Slide it back to the rearmost position and centralise.

Locate the two front coal sections into the slot along the front of the fire tray, ensuring the coal shapes are facing forwards. The legs on the coals have a serrated front face which is intended to give a tight interference fit in to the tray, and at the same time chamfer away a portion of the serration. **DO NOT alter the slot in the tray front, so that the coals become a loose fit.**



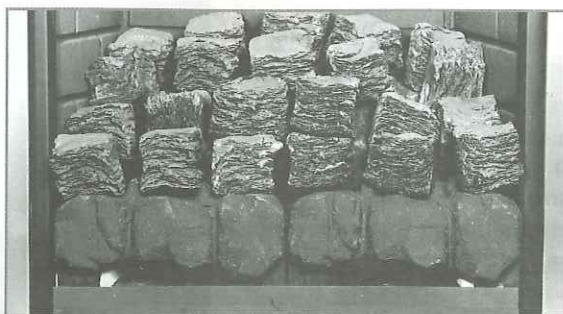
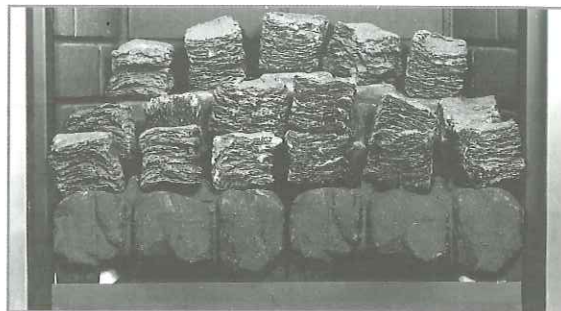
Place the front row of six coals as shown onto the placement pads on the matrix, and further located by the lugs on the front coal strips. It is advisable to reposition this row of coals as you place the next row.

Place the rear row of five coals across the back of the matrix on the five placement pads provided.



12.0 FUEL BED LAYOUT (continued)

Place the second row of six coals on the placement pads behind the first row of coals as shown. These coals **MUST NOT** impede the flames passing through the rear flame holes of the matrix. *Ensure that no corners of coals or rough edges project back into the slots.* Move the coals forward away from the slots if at all unsure.



Place the final row of five coals across the matrix on the remaining placement pads. These coals **MUST NOT** be allowed to fall into the flame slots in the matrix, and **MUST** have gaps between them to let the flames through.

Note: The coals must not be crammed together, or inserted into the holes in the matrix. A well laid out, generously spaced coal layout will give the best results.

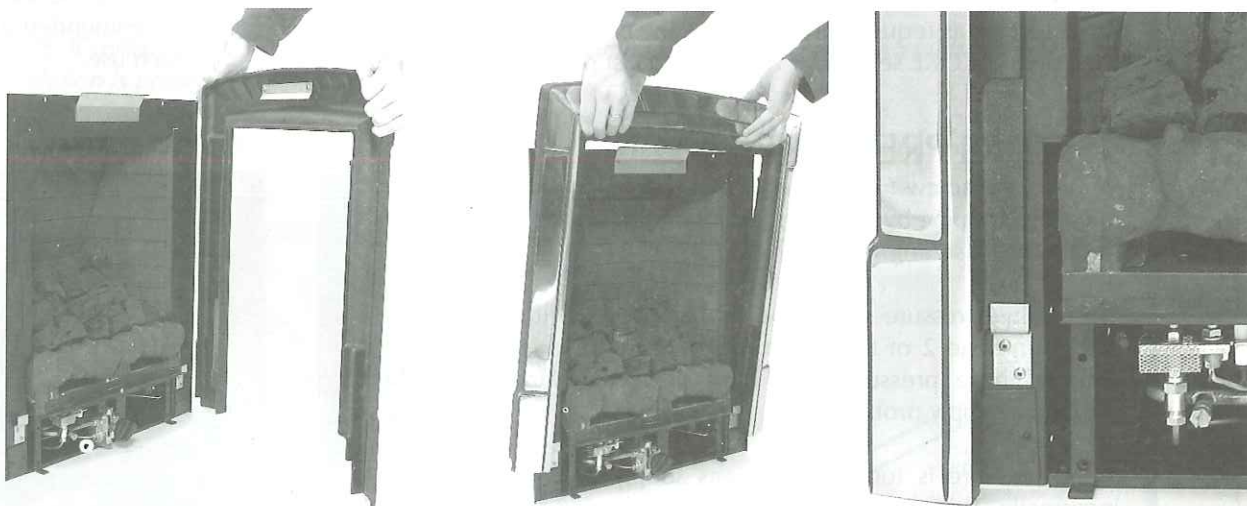
Coals may be rotated slightly within their positions to give a good visual effect.

The fire is designed to operate correctly with the coals supplied when assembled according to the instructions. Never add to the twenty-two coals, or change them for a different type. Never throw rubbish or other matter onto the coal bed.

13.0 FITTING THE DECORATIVE FRAME AND FRONT

The appliance is supplied with a decorative cast frame in a variety of finishes. The frame is supplied in its own box within the packaging of the appliance. *Due to the weight and size of the cast frame, care should be taken when handling.* Remove the cast frame from the box, and discard any protective packaging. The frame locates onto three brackets which are pre-fitted to the firebox frame as shown in the accompanying photographs. Stand the frame in front of the appliance, and lift into position, engaging the top bracket of the cast frame over the top bracket of the firebox as shown. When finally lowering the cast frame into position, ensure the lower brackets on the firebox frame engage on the legs of the cast frame as shown.

Place the decorative firefront in front of the fire and slide the ashpan door into place. The firefront shown in these instructions may be different to the one supplied with the appliance.



14.0 TESTING AND COMMISSIONING

Turn on and test the gas supply up to the fire for any leaks, in accordance with current Approved Codes Of Practice (ACOPs).

When the appliance is first used, protective oils coating the firebox may burn off. It is advisable to ventilate the room during this period, at least one hour.

14.1 OPERATING THE FIRE

The pilot is visible through the underside of the left hand front coal strip. Push in and turn the control knob to the SPARK position, and hold there for a few seconds.

Continue turning anti-clockwise through the spark click to the PILOT light position, ensuring the pilot has lit. If not, return the knob clockwise, and repeat.

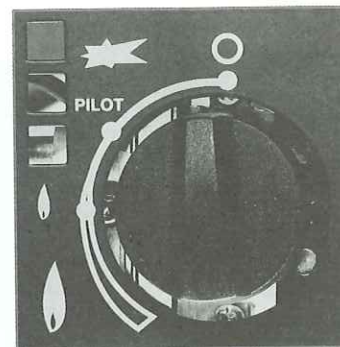
When the pilot lights after the spark, keep the knob depressed for approximately ten seconds. Now release the knob and the pilot should stay alight. If not, retry ignition. If the pilot is extinguished during use, wait three minutes before repeating the ignition procedure.

To achieve the HIGH setting, push the control knob in slightly and continue turning anti-clockwise to the high position. The main burner should light after a few seconds.

To decrease the setting to LOW, turn the control knob clockwise to the low setting.

To turn to the PILOT position from the HIGH or LOW positions, press the control knob in, and return to the pilot position and release.

To turn the fire OFF, keep the knob pressed in, return to the off position and release.



14.2 SPARK FAILURE

The gap between the spark electrode and the pilot should be 3.5 - 4.5mm to produce a good spark. There should be no need to adjust this. If under any circumstances the electric spark fails, the pilot may be lit manually by proceeding with the ignition sequence as previously described, and after turning the control knob through the spark position, the knob should be held in and the pilot lit with a taper.

14.3 FLAME CONTROL LEVER

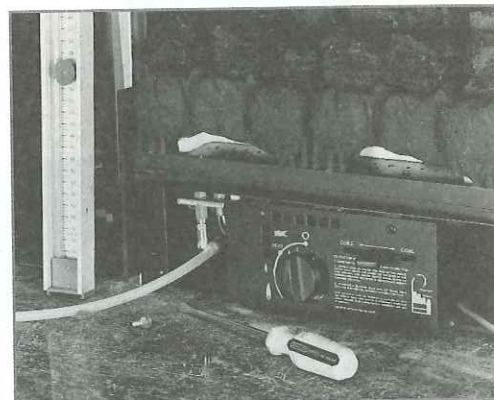
On Natural Gas appliances there is a flame control lever behind the ashpan door that varies the flame colour from blue to a decorative yellow. The customer should be instructed in it's position and that it can be used to vary the flame picture as required. To minimise any carbon deposition that may occur, it is recommended that the fire is used on the COKE setting for the first and last periods (approximately 20 mins.) of each use.

14.4 SETTING PRESSURE

Remove the screw from the pressure test point, situated on the main injector pipe by the pilot, and attach a U gauge. Light the fire on the HIGH setting.

The setting pressure should be in accordance with the figures stated on page 2 of these instructions. The fire is factory set to achieve these pressures, and any significant variation could indicate a supply problem.

If the pressure is too high, the gas supply meter may be set incorrectly. This should be checked with the fire running and if necessary reset by the gas supplier.



14.4 SETTING PRESSURE (continued)

If the pressure is too low, then check the meter governor pressure with the appliance running. If this is incorrect it will need to be reset by the gas supplier. If the setting pressure is too low, but the meter pressure is acceptable, then a problem in the supply pipework is to be suspected. This will be dirt and debris, kinked or inadequate size pipes, restriction in a fitting or solder flashing across a joint. (NOTE: you will not get an accurate reading of the inlet pressure with a pressure gauge on the end of the supply pipe - this is the static pressure in the system. You must use a T piece and measure the supply pressure with the fire on High - the dynamic pressure).

14.5 FLUE SPILLAGE MONITORING SYSTEM

This fire is fitted with a flue spillage safety device (ODS). If the fire shuts down during use for no apparent reason then several things may be suspected. If a door or window has been opened creating a draught, then pilot disturbance is the problem, and removal of the draught should resolve this. If a grommet seal has been left out of the firebox then this also will also cause intermittent shutdown (recall your installer to fit). The gas pressure reaching the fire must also be checked (again, recall your installer to check and rectify any problem). The thermocouple connection into the back of the gas control valve may also have worked loose during installation, simply get the installer to tighten.

If pilot disturbance is not the cause, then the ODS safety system may be in operation. Switch the appliance OFF, check the flue and carry out any remedial work required. Relight the fire and carry out a spillage test. DO NOT allow the appliance to be used if it continues to fail a spillage test.

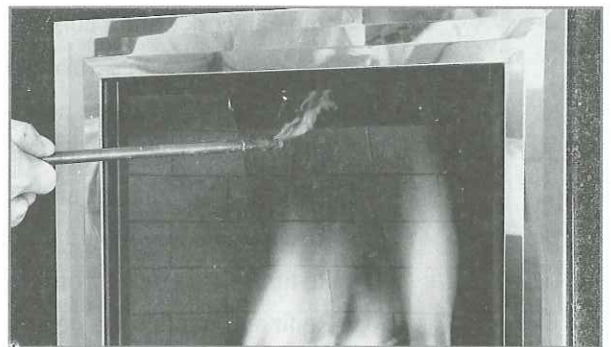
The aeration hole of the pilot must be carefully cleaned out on each annual service to ensure continued function of the ODS.

The spillage monitoring system shall not be adjusted, modified, or put out of operation by the installer. Any spare parts fitted MUST be of a type supplied for the purpose by the appliance manufacturer.

If the fire is not spilling, then further guidance should be sought, using the Troubleshooting section as a guide.

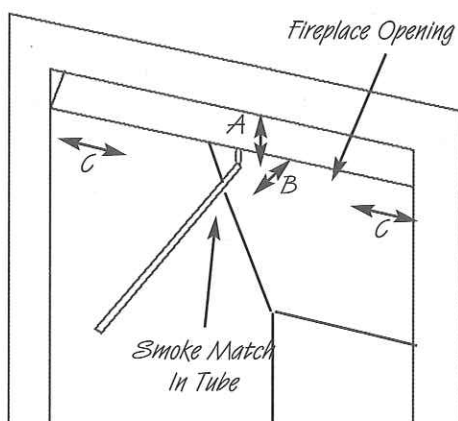
14.6 TESTING FOR SPILLAGE

Close all doors and windows to the room containing the appliance. Let the fire run on HIGH for five minutes. Take a smoke match, light it, and using a smoke match tube, hold it at the top edge of the fire opening, 25mm down and 25mm in. Starting 50mm in from either side, run the smoke match across the opening. All the smoke should be drawn away up the flue. Any smoke returning into the room indicates that spillage is occurring. If the initial spillage test fails, run the fire for a further 10 minutes and repeat the test. When the test has been completed satisfactorily, repeat with any extractor fans in the premises running on the highest setting, and any communicating doors open. Finally, repeat with all doors open.



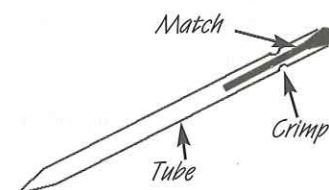
NOTE: If spillage is still indicated after undertaking all of the above, there may be a fault in the flue, or insufficient ventilation is present.

If the problem cannot be rectified immediately, then expert advice should be sought. Inform the user, disconnect the fire, and attach an explanatory label.



A. 25mm down from top of opening
B. 25mm in from front of opening.
C. Disregard outer 50mm either side of fireplace opening

Cross section of smoke match tube



Make a smoke match tube from 10mm diameter tube. Seal off one end and crimp the tube to prevent the smoke match from sliding down inside.

14.7

BRIEFING THE CUSTOMER

All instructions must be handed to the user for safekeeping. *Show the customer how to light and control the fire.*

After commissioning the appliance, the customer should be instructed on the safe use of the appliance and the need for regular servicing. Frequency of service depends on usage, but **MUST** be carried out at least one annually.

Scratched and other superficial damage to the matt black paintwork of the appliance can be covered with matching heatproof spray. Use only the manufacturers' recommended spray paint. Paint only when the fire is **OFF** and cold. Always mask off the surrounding area to prevent contamination with overspray. Ventilate the room during the use of the spray.

DO NOT attempt to spray paint the coals or ceramics, or wash them in water.

15.0

SERVICING

Isolate the fire from the gas supply. Ensure that the fire is fully cold before attempting service. A suggested procedure for servicing is detailed below.

1. Lay out the dust sheet and tools.
2. Carefully remove the firefront casting, and ceramic components.
3. Remove the decorative frame, and check frame top for discolouration and signs of spillage.
4. Remove the two screws that retain the data/control plate.
5. Disconnect the gas supply, and remove the two securing screws in the tray legs.
6. Remove the burner tray.
7. Remove the firebox as detailed in the relevant section.
8. Check the area behind the firebox for rubble accumulation and remove. If debris is excessive, initiate remedial work on the flue.
9. Check the flue with smoke pellet for correct operation.
10. Re-fit the firebox using new seals where necessary.
11. Strip off the burner pipes and clean thoroughly.
12. Clean out the injector and pilot assembly. **DO NOT** damage pilot injector.
13. Re-assemble and re-fit the burner tray.
14. Re-fit the decorative front.
15. Re fit and replace the ceramics, using genuine spares where necessary.
16. Turn on the gas supply, and leak test.
17. Check any purpose provided ventilation is un-obstructed.
18. Light the fire and test for spillage.
19. Check setting pressure and safe operation of the appliance.

For specific servicing instructions, see the relevant sections.

15.1

CLEANING THE COALS

Remove the firefront casting and place to one side. Remove the ceramic components. Gently clean in the open air. Be careful not to create dust from the coals. Where necessary replace damaged components with genuine spares. Seal scrap components in plastic bags and dispose of at proper refuse sites as directed.

Re-fit the coals carefully by referring to the relevant section of these instructions.

15.2 REMOVING THE FIREBOX

Remove the firetray as previously described. Uncoil the fixing kit cables from the rear of the firebox, remove the screwed nipples and tensioning adjusters. The firebox can now be withdrawn from the opening and outwards onto the protected hearth.

Inspect the fireplace opening for debris, and if excessive rectify the flue before proceeding further. Check the seal around the fireframe and replace if necessary. Refitting of the firebox is described in the relevant section.

15.3 DISMANTLING THE BURNER TRAY

Remove the tray as previously described. The pilot unit can be removed by undoing the tubing nut, the thermocouple nut on the rear of the valve, and the two securing screws, and lifting away. Remove the tubing nut from the valve end of the pilot pipe, and blow through to dislodge any debris. Clean the exterior of the pilot assembly with a soft brush and blow through the flame ports on the pilot head. Check the aeration holes are free from lint or dirt. The pilot assembly is a non-serviceable item, and should not be taken apart. The aeration hole must be absolutely clear internally for proper operation. A thoroughly cleaned (inside and out) oxypilot will cure a wide range of ignition faults. The injector can be removed from the base of the assembly with two spanners to make cleaning the aeration hole out easier.

Remove the two tubing nuts on the ends of the gas pipe to the injector elbow. Release the screw through the supporting leg and lift assembly clear. The injector pipe can now be checked for debris. Remove the nut retaining the injector elbow. Blow through the elbow to remove any debris.

The valve is not field serviceable, apart from the pilot filter. Remove the control knob by pulling it forwards, then remove the largest of the three screws on the face of the valve. Slide the filter out and clean away any debris that may have accumulated. The filter element should also be blown clean. This component should not require replacement, however if signs of deterioration are evident then a genuine spare must be used. If a large amount of debris is present in the filter then the pipework and control should be thoroughly cleaned before re-assembly.

16.0 TROUBLESHOOTING GUIDE

<i>Fire sparks but pilot does not light</i>	No gas to fire, check isolators are open. Pipework blockage, clean out. Air not fully purged, repurge supply or wait longer. Spark earthing to metal work, reset gap correctly. Blocked pilot, clean out internally.
<i>Pilot lights but then goes out</i>	Severe restriction in gas supply, clear obstruction. Faulty thermocouple, replace pilot unit. Hold control knob in for longer. Check control knob does not foul data plate.
<i>Fire does not spark at pilot</i>	HT lead detached, refit. Spark gap too large or small, reset correctly. Faulty piezo unit, replace. Debris shorting out electrode, clean.
<i>Fire runs for a time and then cuts off</i>	Excessive room draught or flue pull, rectify. Loose or faulty thermocouple, rectify. ODS system in operation. Firebox grommet seal not fitted, rectify. Lint in pilot aeration hole, clean thoroughly internally
<i>Pilot flame shrinks when fire is on high</i>	Poor gas flow to fire, check pressure with fire on high. If pressure is low, remove any restriction in pipework or valve. Check all isolators are adequately sized and fully open. Check meter pressure is adequate. Air leak under base of firebox, rectify. Lint in pilot aeration hole, clean thoroughly internally.
<i>Fire smells when first lit or in use</i>	Newness smell from brand new appliance. Spillage occurring. Carry out spillage test and rectify any problems. Low temperature sealants or combustible materials used in incorrect positions. Air leak under base of firebox, rectify.

USER INSTRUCTIONS

<i>Section</i>	<i>Contents</i>	<i>Page No.</i>
1.0	Important Notes	1
2.0	Firefront	2
3.0	Clearances to Combustibles	2
4.0	Ventilation	2
5.0	Operating Instructions	2
6.0	Flame Control Lever	3
7.0	Flue Spillage Monitoring System	3
8.0	Cleaning	3
9.0	List of Spares	3

1.0

IMPORTANT NOTES

The installation of this fire **MUST** only be carried out by a competent person (such as a CORGI registered fitter) in accordance with the Gas Safety (Installation and Use) Regulations 1998, the relevant British Standards, Codes of Practice, the Building Regulations and the manufacturers' instructions.

Failure to comply with the above recommendations could lead to prosecution and invalidate the appliance warranty.

Please ensure you are handed all of the manufacturers documents on completion of the installation. This will include these instructions.

Always keep a note of the installer's name and address, the original purchase receipt and the date of installation for future reference.

The fire and flue should be serviced regularly to ensure continued safe operation. See the servicing section for further details. Frequency of service will depend on use, but **MUST** be carried out at least once annually.

Parts of this appliance become naturally hot during use. It is recommended that a suitable fire guard conforming to BS 6778 is used, especially where young children, the elderly, or infirm are concerned.

Combustible items, such as flooring and furniture, and soft wall coverings (such as blown vinyl or embossed paper) may discolour if fitted too close to the fire. See relevant section for further details on clearances to combustibles. No combustible material or flooring should protrude onto the hearth.

DO NOT burn any foreign material on this fire, the coals must be of the correct type and laid out in accordance with the relevant section of these instructions. Failure to do so could create a hazard or lead to sooting.

Before the appliance is installed, the chimney should be swept. All flues should be checked by the installer to ensure there are no defects or obstructions that may prevent the flow of combustion products.

This appliance is fitted with a flue blockage safety device which will shut down the fire if abnormal flue conditions occur. It is **NOT** a substitute for an independently mounted Carbon Monoxide detector.

The fire is only suitable for use with the gas type for which it is supplied.

2.0 FIREFRONT

This fire is supplied with a particular style of firefront. Use of the firefront will ensure an adequate airflow under the firebed for the correct functioning of this appliance.

Compliance with safety standards cannot be guaranteed if another style of front is used.

3.0 CLEARANCES TO COMBUSTIBLES

A combustible shelf may be fixed to the wall above the fire, providing that it complies with the dimensions given below.

<i>Maximum depth of shelf</i>	<i>Minimum distance from inside edge of fire frame to underside of shelf</i>
100mm (4in)	203mm (8in)
150mm (6in)	305mm (12in)
203mm (8in)	356mm (14in)

A non-combustible shelf may be fitted to within 10mm of the top edge of the fireframe.

Combustible materials, such as wood, may be fitted to within 100mm (4in) of either side of the frame of the appliance, providing the forward projection does not exceed 100mm (4in).

Any combustible side walls must be at least 500mm to the side of the radiant heat source.

As with all heating appliances, any decorations, soft furnishings, and wall coverings (i.e. flock, blown vinyl and embossed paper) positioned too close to the appliance may discolour or scorch.

4.0 VENTILATION

No purpose provided ventilation is normally required for this appliance. The requirements of other appliances operating in the same space or room, and the results of a spillage test must be taken into consideration when assessing ventilation requirements, this will have been carried out by your CORGI registered installer.

For Republic of Ireland, ventilation may be required, see IS 813, ICP3, IS 327, and any other rules in force.

5.0 OPERATING INSTRUCTIONS

The pilot is visible through the underside of the left hand front coal strip. Push in and turn the control knob to the SPARK position, and hold there for a few seconds.

Continue turning anti-clockwise through the spark click to the PILOT light position, ensuring the pilot has lit. If not, return the knob clockwise, and repeat.

When the pilot lights after the spark, keep the knob depressed for approximately ten seconds. Now release the knob and the pilot should stay alight. If not, repeat ignition. If the pilot is extinguished *during use*, wait three minutes before repeating the ignition procedure.



To achieve the HIGH setting, push the control knob in slightly and continue turning anti-clockwise to the high position. The main burner should light after a few seconds.

To decrease the setting to LOW, turn the control knob clockwise to the low setting.

To turn to the PILOT position from the HIGH or LOW positions, press the control knob in, and return to the pilot position and release.

To turn the fire OFF, keep the knob pressed in, return to the off position and release.

6.0 FLAME CONTROL LEVER

On Natural Gas appliances there is a flame control lever behind the ashpan door that varies the flame colour from blue to a decorative yellow. This lever can be used to vary the flame picture as required. To minimise any carbon deposition that may occur, it is recommended that the fire is used on the COKE setting for the first and last periods (approximately 20 mins.) of each use.

7.0 FLUE SPILLAGE MONITORING SYSTEM

This fire is fitted with a flue spillage safety device (ODS). If the fire shuts down during use for no apparent reason then several reasons may be suspected. If a door or window has been opened creating a draught, then pilot disturbance could be the problem, and removal of the draught should resolve this. The fire can then be re-lit in accordance with the previous section. A sealing grommet may have been omitted when the fire was installed, and the original installer should be called to check this, the gas pressure and pipework.

If pilot disturbance is not the cause, then the ODS safety system may be in operation. Switch the appliance OFF, call in your installer to check the flue and ventilation and carry out any remedial work required. DO NOT allow the appliance to be used until the flue system is passed as safe.

8.0 CLEANING

Before carrying out any of the following operations, ensure that the fire is OFF and completely cold.

Debris that may form on the firebed should be periodically removed by a competent person. Large deposits could indicate deterioration of the flue. This should be repaired by a competent person, and the fire serviced before further use.

FIREFRAME - This appliance is supplied with a high quality frame of either solid brass or cast iron. For silver finish options, the cast iron is lacquered to prevent tarnishing and should be cleaned with a damp cloth only. Brass finished frames may be cleaned periodically, when the fire is switched OFF and cold, using a proprietary metal cleaner.

FIREFRONT - Any dust accumulating in the firefront may be removed using a vacuum cleaner or dry cloth. Heavy stains may be removed by using a damp cloth and mild household detergent. Brass parts of the firefront may be cleaned using a suitable brass cleaner. Replace the front centrally against the fire after cleaning.

PAINTED AREAS - These can be cleaned using a dry cloth.

COALS AND CERAMICS - See the relevant section in the Installation Guide of these instructions. Do not create dust from the coals. Clean gently in the open air. Replace components with original spares only as necessary.

9.0 LIST OF SPARES

<i>PART NO.</i>	<i>ITEM</i>
FT003035/0	Pack of 22 coals
FT003040/0	Pair of front coal strips
FT003010/0	Ceramic combustion matrix
IN004540/0	Burner Pad
Enquire	Decorative Frame
Enquire	Decorative Front